



## PI5L102

### CompactPCI® Hot Swap Pull-up Switch

#### Product Features

- Supports CompactPCI precharge voltage selection
- 3.3V/2.7kohms, 5V/1ohm line termination selection
- Ultra-low quiescent current: 0.1µA typical
- Low ON resistance: 7ohms maximum
- Single supply operation up to 6.2V ±5%
- Wide bandwidth data rates: >200 Mbps
- Compact 20-pin TSSOP package
- Mechanical relay replacement

#### Product Description

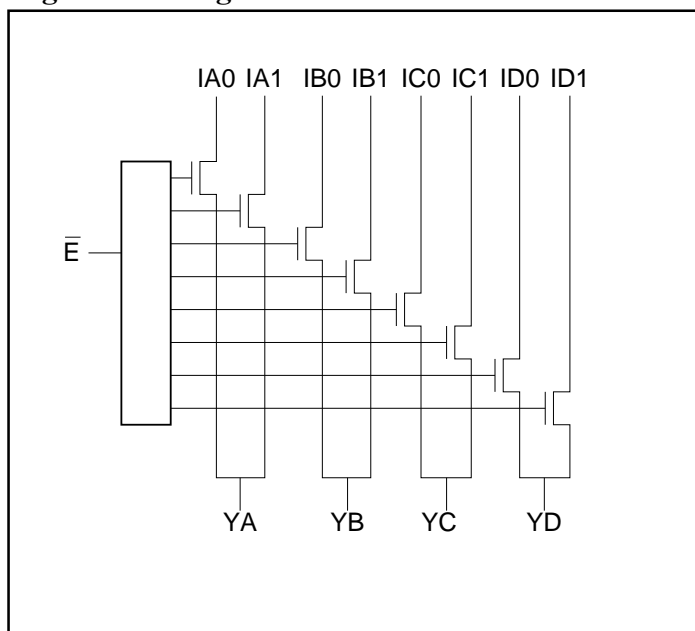
The PI5L102L CompactPCI Hot Swap Pull-up switch is a Quad 1:2 multiplexer. It is designed to switch the 1V precharge bias voltage and 10-kohm pull-up resistor connected to the CompactPCI bus signals during Hot Swap. Each switch can connect eight inputs ( $I_{An}$  to  $I_{Dn}$ ) to a given pull-up voltage level.

In addition, the PI5L102 can be used to select 2.7 kohms/3.3V or 1.0 kohm/5V pull-ups for the system card PCI signal lines.

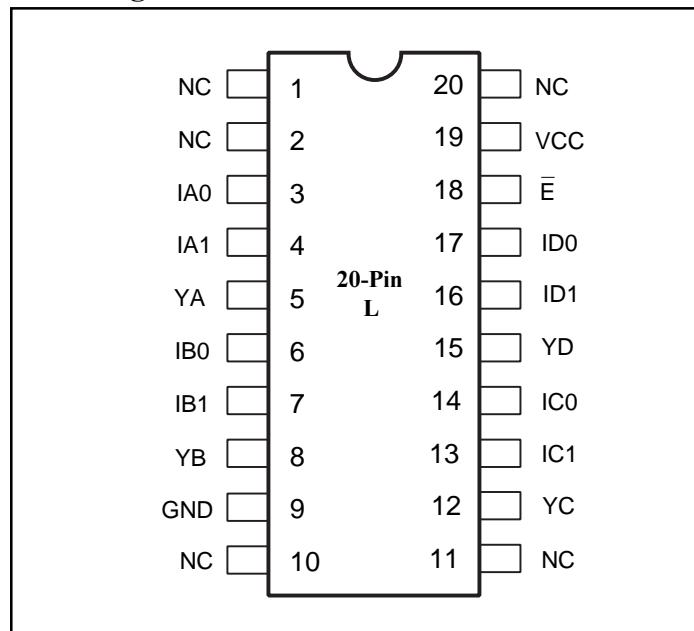
ON resistance is a low 7 ohms maximum and all eight switches are selected or disabled with a single CMOS/TTL compatible signal. For general-purpose applications, the PI5L102 can replace mechanical relays. In network systems, physical layer signals can be switched.

To reduce the insertion loss, the PI5L102 can be powered by a 6.2V Zener diode.

#### Logic Block Diagram



#### Pin Configuration



#### Truth Table<sup>(1)</sup>

$\bar{E}$	YA	YB	YC	YD	Function
H	Hi-Z	Hi-Z	Hi-Z	Hi-Z	Disable
L	IA0, IA1	IB0, IB1	IC0, IC1	ID0, ID1	Enable

#### Note:

1. H = High Voltage Level  
L = Low Voltage Level

#### Product Pin Description

Pin Name	Description
IA <sub>n</sub> -ID <sub>n</sub>	Data Inputs
$\bar{E}$	Enable
YA-YD	Data Outputs
GND	Ground
VCC	Power

### Maximum Ratings

(Above which the useful life may be impaired. For user guidelines, not tested.)

Storage Temperature .....	-65°C to +150°C
Ambient Temperature with Power Applied .....	0°C to +70°C
Supply Voltage to Ground Potential (Inputs & V <sub>CC</sub> Only) .....	-0.5V to +7.0V
Supply Voltage to Ground Potential (Outputs & D/O Only) ...	-0.5V to +7.0V
DC Input Voltage .....	-0.5V to +7.0V
DC Output Current .....	120mA
Power Dissipation .....	0.5W

#### Note:

Stresses greater than those listed under MAXIMUM RATINGS may cause permanent damage to the device. This is a stress rating only and functional operation of the device at these or any other conditions above those indicated in the operational sections of this specification is not implied. Exposure to absolute maximum rating conditions for extended periods may affect reliability.

### DC Electrical Characteristics (Over the Operating Range, T<sub>A</sub> = 0°C to +70°C, V<sub>CC</sub> = 6.2V, +5%, -2%)

Parameters	Description	Test Conditions <sup>(1)</sup>	Min.	Typ <sup>(2)</sup>	Max.	Units
V <sub>IH</sub>	Input HIGH Voltage	Guaranteed Logic HIGH Level	2.4	—	—	V
V <sub>IL</sub>	Input LOW Voltage	Guaranteed Logic LOW Level	-0.5	—	0.8	V
I <sub>IH</sub>	Input HIGH Current	V <sub>CC</sub> = Max., V <sub>IN</sub> = V <sub>CC</sub>	—	—	±1	μA
I <sub>IL</sub>	Input LOW Current	V <sub>CC</sub> = Max., V <sub>IN</sub> = GND	—	—	±1	μA
I <sub>OZH</sub>	High Impedance Output Current	0 ≤ A, B ≤ V <sub>CC</sub>	—	—	±1	μA
V <sub>IK</sub>	Clamp Diode Voltage	V <sub>CC</sub> = Min., I <sub>IN</sub> = -18mA	—	-0.7	-1.2	V
I <sub>OS</sub>	Short Circuit Current <sup>(3)</sup>	A (B) = 0V, B (A) = V <sub>CC</sub>	100	—	—	mA
V <sub>H</sub>	Input Hysteresis at Control Pins		—	150	—	mV
R <sub>ON</sub>	Switch On Resistance <sup>(4)</sup>	V <sub>CC</sub> = Min., V <sub>IN</sub> = 0.0V I <sub>ON</sub> = 48mA		5	7	ohm
		V <sub>CC</sub> = Min., V <sub>IN</sub> = 2.4V I <sub>ON</sub> = 15mA		10	15	

#### Notes:

1. For Max. or Min. conditions, use appropriate value specified under Electrical Characteristics for the applicable device type.
2. Typical values are at V<sub>CC</sub> = 6.2V, T<sub>A</sub> = 25°C ambient temperature.
3. Not more than one output should be shorted at one time. Duration of the test should not exceed one second.
4. Measured by voltage drop between I and Y pins at indicated current through the switch. ON resistance is determined by the lower of the voltages on the two (I, Y) pins.

**Capacitance** ( $T_A = 25^\circ\text{C}$ ,  $f = 1\text{ MHz}$ )

Parameters <sup>(1)</sup>	Description	Test Conditions	Typ.	Max.	Units
$C_{IN}$	Input Capacitance	$V_{IN} = 0\text{V}$	4	6	pF
$C_{OFF (Y_X)}$	$Y_X$ Capacitance, Switch OFF		6	8	
$C_{OFF (I_{XN})}$	$I_{XN}$ Capacitance, Switch OFF		6	8	
$C_{ON (Y_X)^{(1,2)}}$	$Y_X$ Capacitance, Switch ON		24	32	

**Note:**

1. This parameter is determined by device characterization, but not production tested.
2. Switch ON Capacitance accounts for capacitance of both switch channels ( $I_{X0}$  &  $I_{X1}$ ) ON at one time.
3. X = A, B, C, or D; N = 0 or 1

**Power Supply Characteristics**

Parameters	Description	Test Conditions <sup>(1)</sup>		Min.	Typ <sup>(2)</sup>	Max.	Units
$I_{CC}$	Quiescent Power Supply Current	$V_{CC} = \text{Max.}$	$V_{IN} = \text{GND or } V_{CC}$	—	0.1	3.0	$\mu\text{A}$
$\Delta I_{CC}$	Supply Current per Input @ TTL HIGH	$V_{CC} = \text{Max.}$	$V_{IN} = 3.4\text{V}^{(3)}$	—	—	2.5	mA
$I_{CCD}$	Supply Current per Input per MHz <sup>(4)</sup>	$V_{CC} = \text{Max.}$ , Input Pins Open $\bar{E} = \text{GND}$ Control Input Toggling 50% Duty Cycle		—	—	0.25	mA/ MHz

**Notes:**

1. For Max. or Min. conditions, use appropriate value specified under Electrical Characteristics for the applicable device.
2. Typical values are at  $V_{CC} = 6.2\text{V}$ ,  $T_A = 25^\circ\text{C}$  ambient temperature.
3. Per TTL driven input ( $V_{IN} = 3.4\text{V}$ , control inputs only); A and B pins do not contribute to  $I_{CC}$ .
4. This current applies to the control inputs only and represent the current required to switch internal capacitance at the specified frequency. The A and B inputs generate no significant AC or DC currents as they transition. This parameter is not tested, but is guaranteed by design.

**Switching Characteristics over Operating Range**

Parameters	Description	Conditions <sup>(1)</sup>	PI5L102			Units
			Com.			
			Min.	Typ	Max.	
$t_{PHZ}$ $t_{PLZ}$	Bus Disable Time $\bar{E}$ to Y	$C_L = 50\text{pF}$ $R_L = 500\text{ohm}$	0.5	—	6.0	ns
$t_{PZH}$ $t_{PZL}$	Bus Enable Time $\bar{E}$ to Y		0.5	—	5.8	ns

**Notes:**

1. See test circuit and waveforms (Figure 2).

## Applications

### Logic Inputs

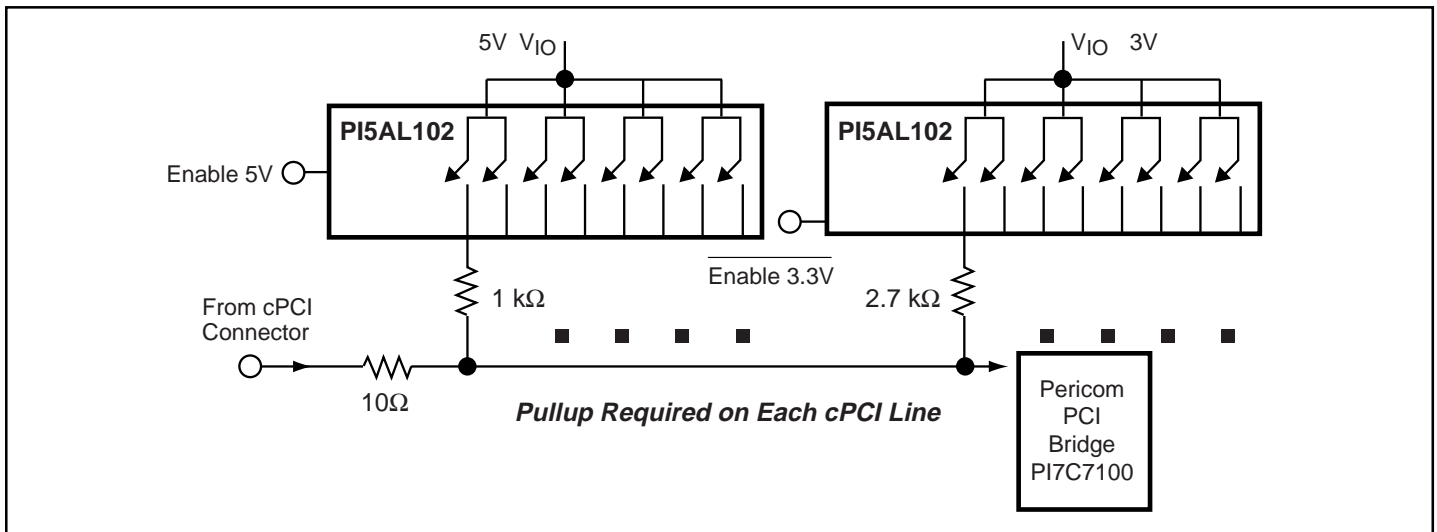
The logic control inputs can be driven up to +5.5V regardless of the supply voltage. For example, given a +5.0V supply,  $\bar{E}$  may be driven low to 0V and high to 5.5V. Driving  $\bar{E}$  Rail-to-Rail® minimizes power consumption.

### Power-Supply Sequencing

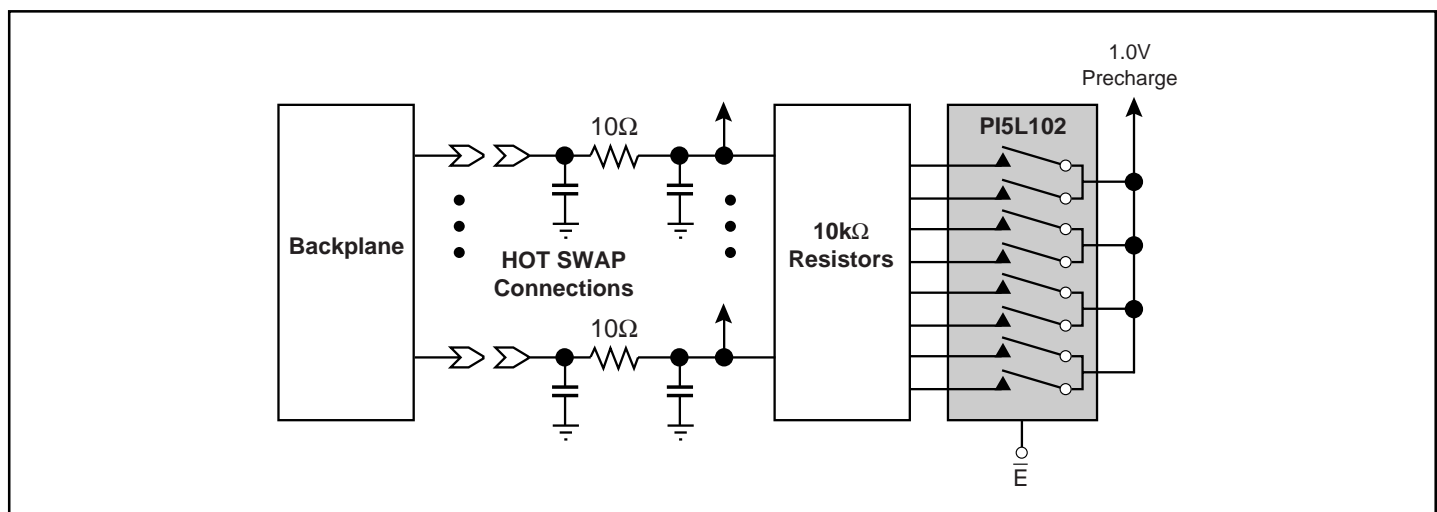
Proper power-supply sequencing is recommended for all CMOS devices. Always apply  $V_{CC}$  before applying signals to the input/output or control pins.

### $V_{CC}$ Bias Voltage vs $R_{ON}$

To keep  $R_{ON}$  to a minimum, it is recommended that the  $V_{CC}$  voltage be increased to a voltage between +6.0V and +6.5V (see Figure 5). The  $R_{ON}$  vs  $V_{IN}$  curve shows the effect of ON-resistance and input voltage which is exponential. Ideally an input voltage between 0.2V and 3.6V will keep  $R_{ON}$  in the flat part of the curve ( $\Delta R_{ON}$  or flatness is ~2ohm).

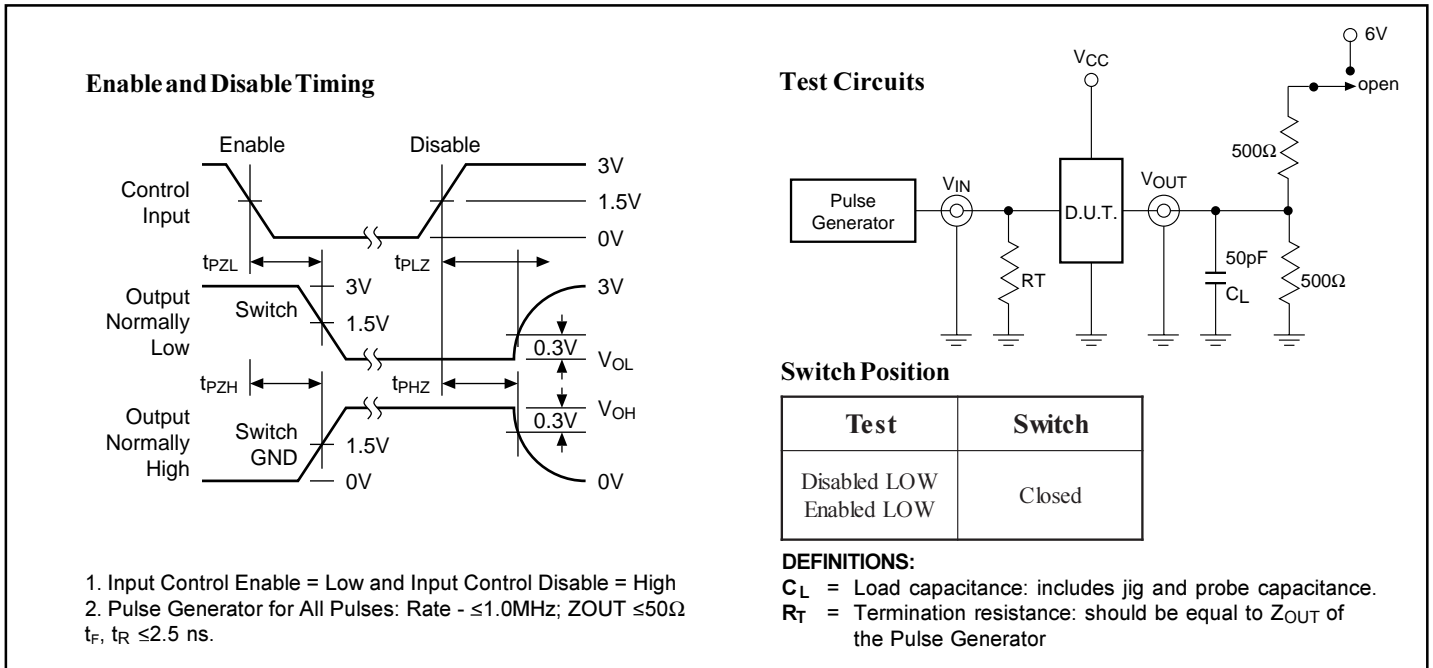


**Figure 1.  $V_{IO}$  Voltage Selection**

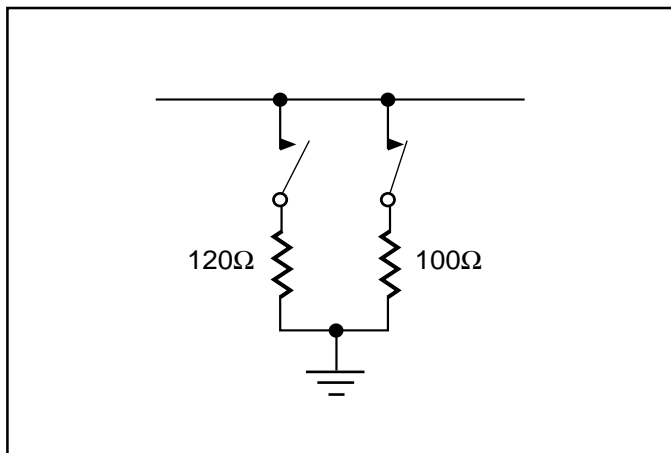


**Figure 2. Hot Swap Precharge Voltage Selection**

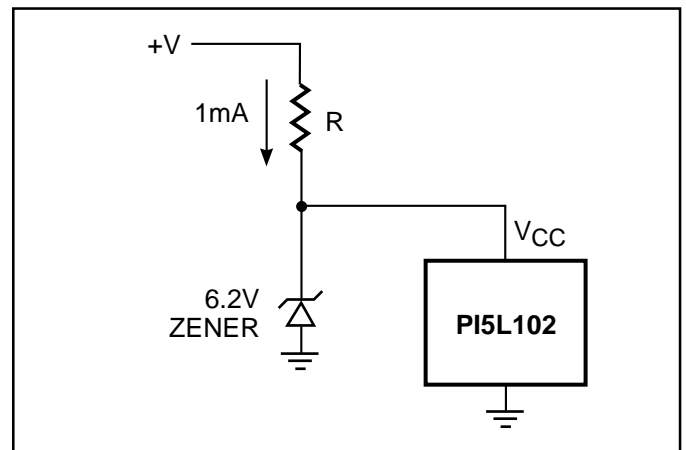
**Test Circuits and Waveforms**



**Figure 3. Switching Time**



**Figure 4. Line Termination**



**Figure 5. V<sub>CC</sub> Bias Current**

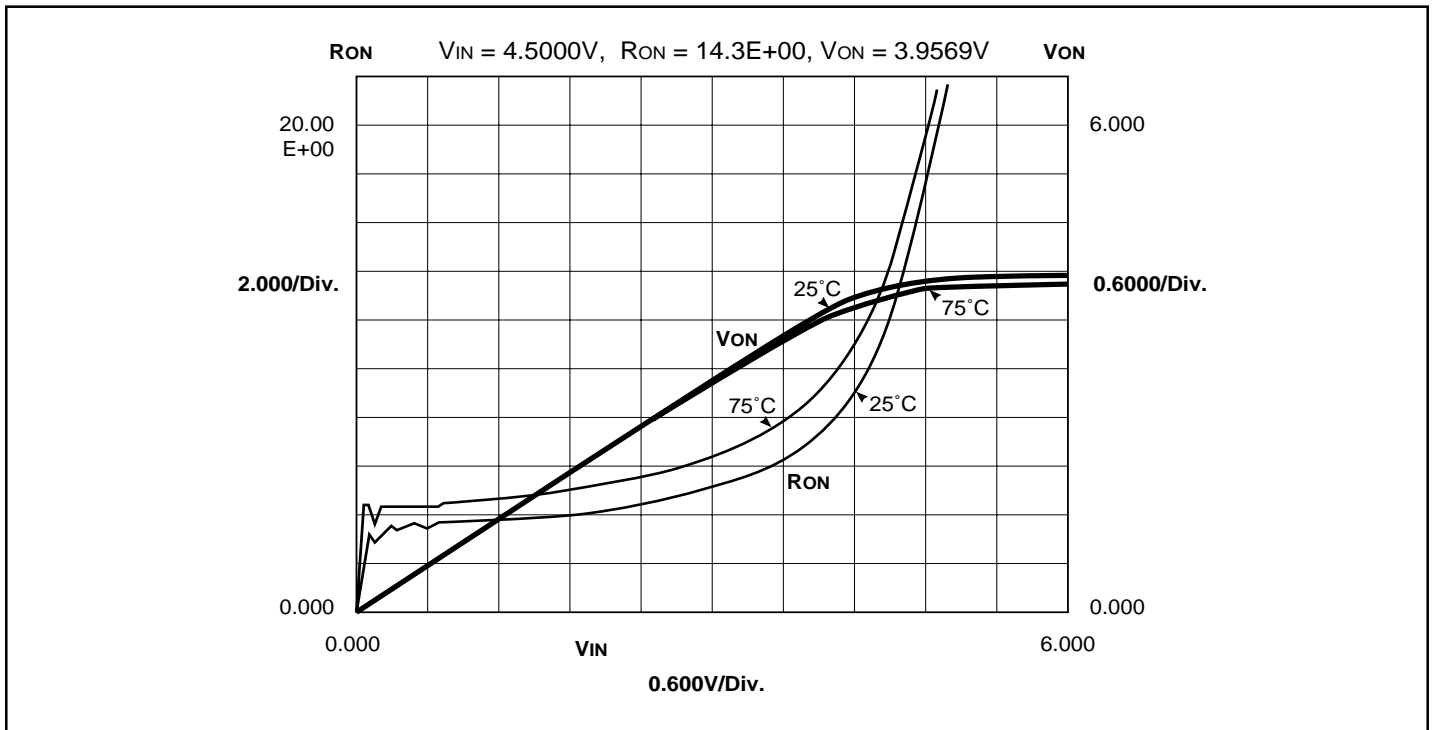


Figure 6. RON vs Input Voltage over Temperature  
(RON at Vcc = 6.1V @ 75°C)

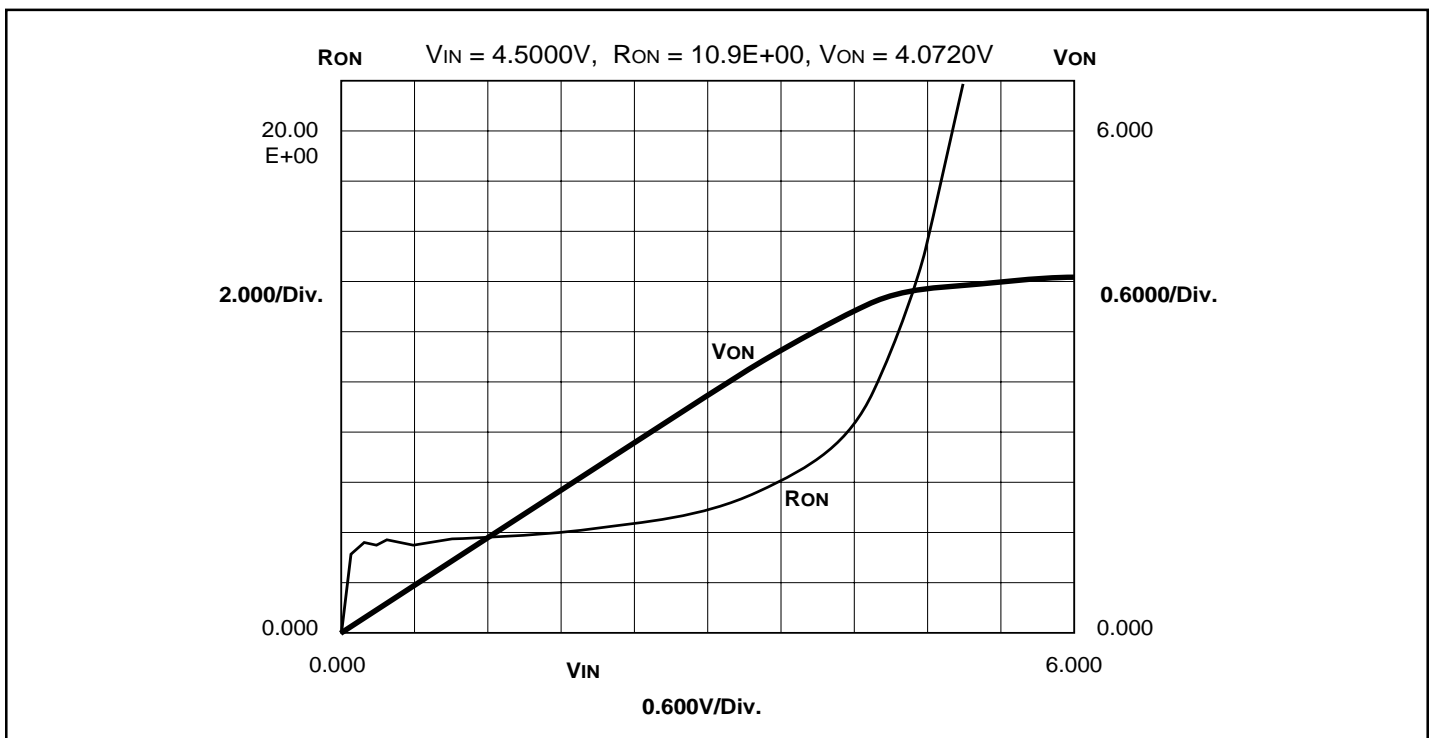
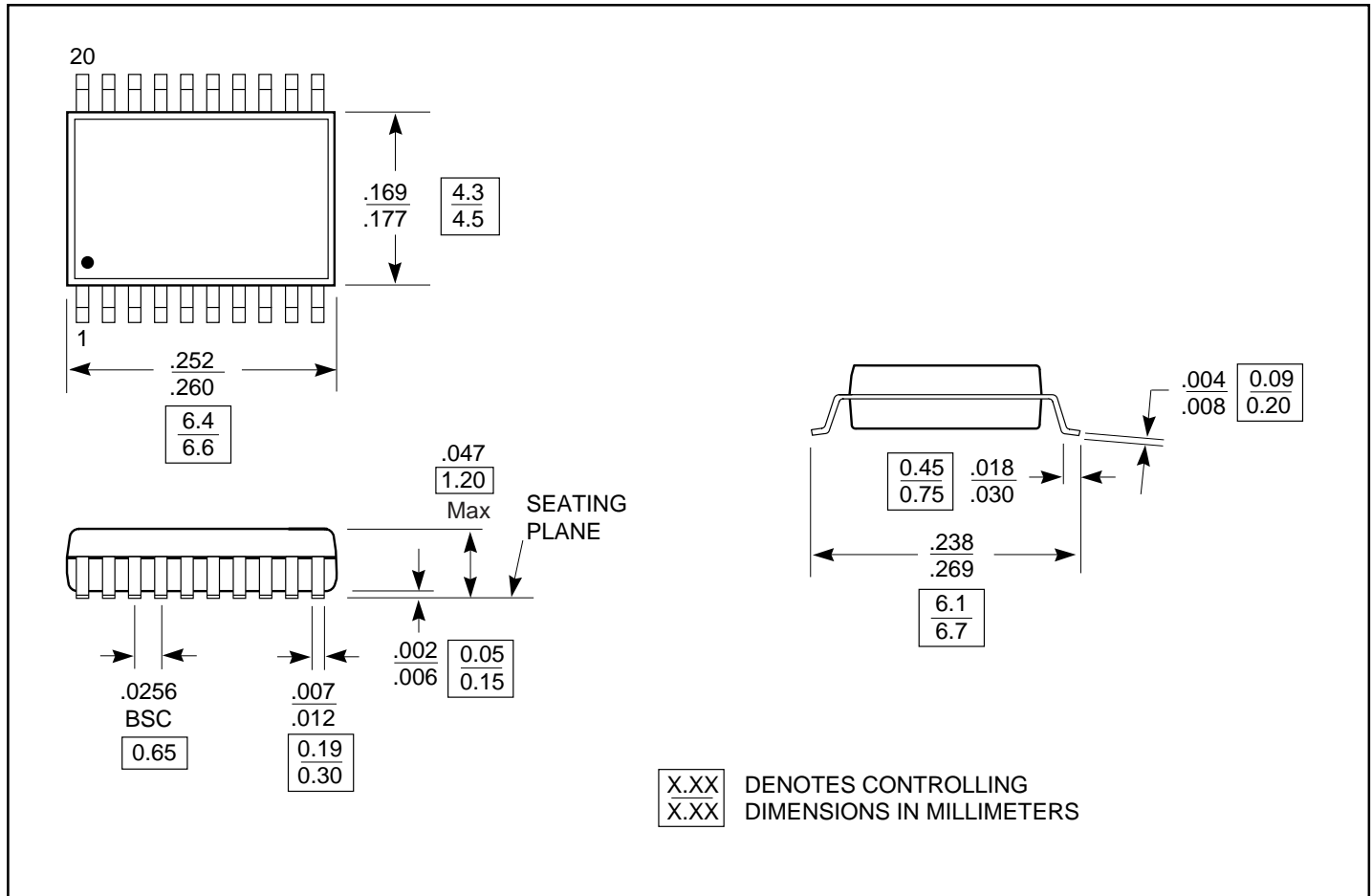


Figure 7 RON vs Input Voltage  
(RON at Vcc = 6.2V @ 25°C)

20-Pin TSSOP Package Drawing (L)



Ordering Information

Part	Pin-Package	Temperature
PI5L102L	20 - TSSOP(L)	0°C to +70°C